

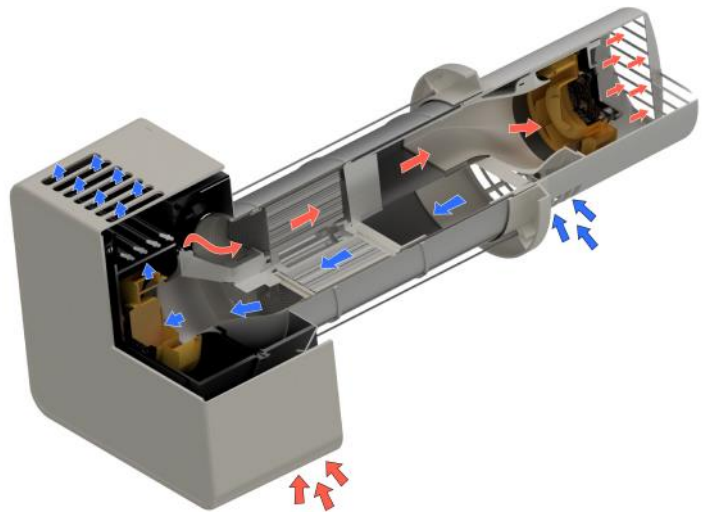
INVITE NATURE INSIDE

EasyAir

October 2022

TURBOVEX 
- fresh air for everyone

Single room ventilation



Easy Air is a ventilation system for balanced mechanical ventilation in which the driving forces are electrically powered fans. The system consists of mechanical extraction and injection air as well as a heat recovery unit. Filters and dampers are used to treat the air.



Rotating heat exchanger



Balanced ventilation



2 pcs. automatic damper



Low noise level



Low energy consumption



Installation from the inside

PATENT PENDING

BUILT-IN

Humidity sensor

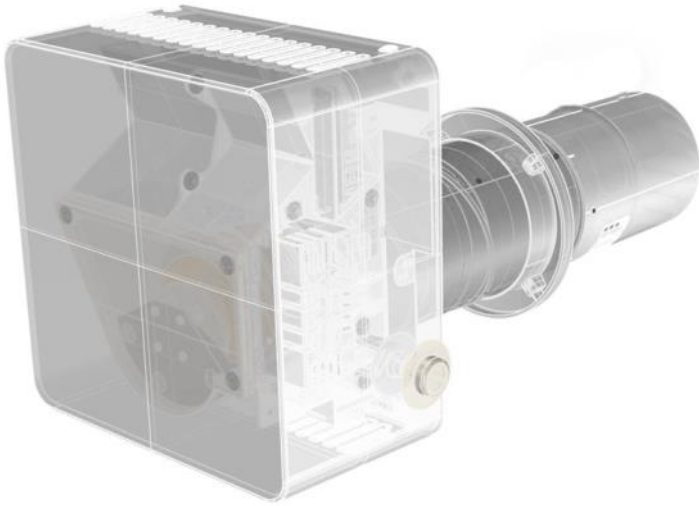
Frost protection

Basic ventilation

CO2 sensor

Timer function

The outer part can be delivered in white or anthracite grey.

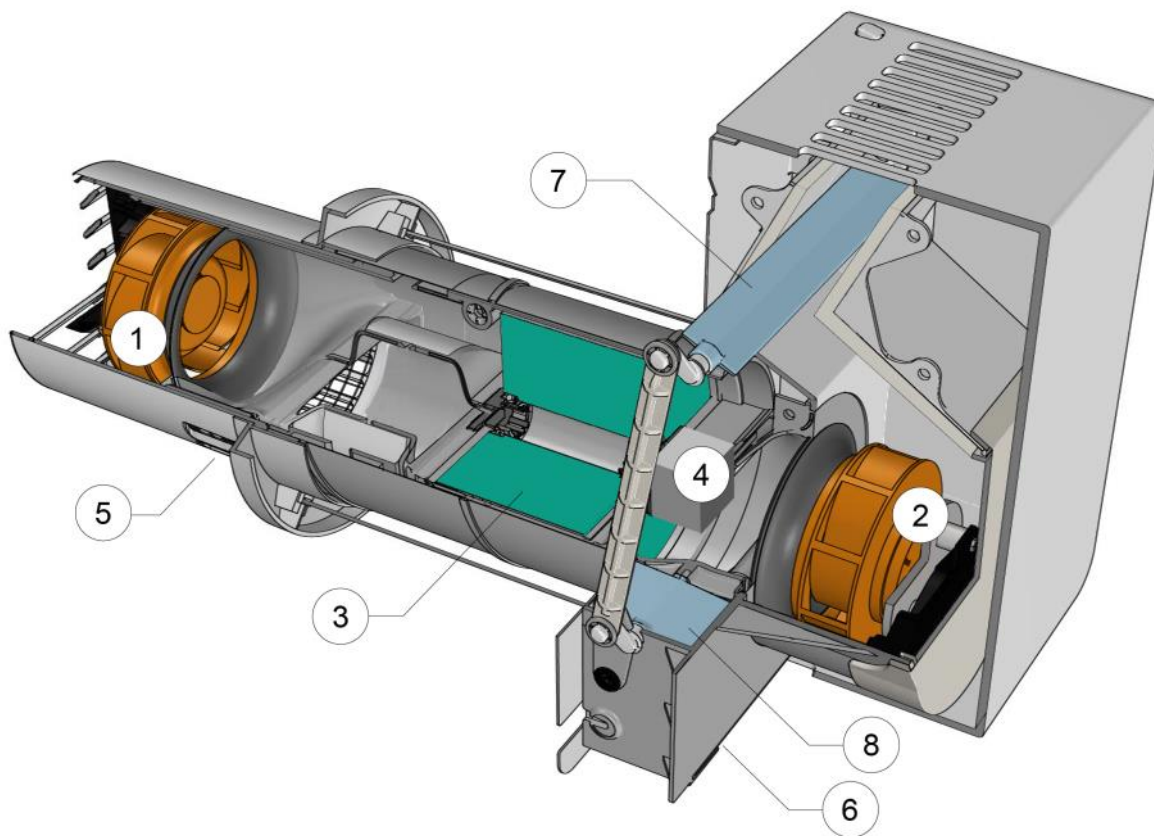




A Decentral Ventilation with a capacity from 20 to 100 m³/h, can be used in the following locations:

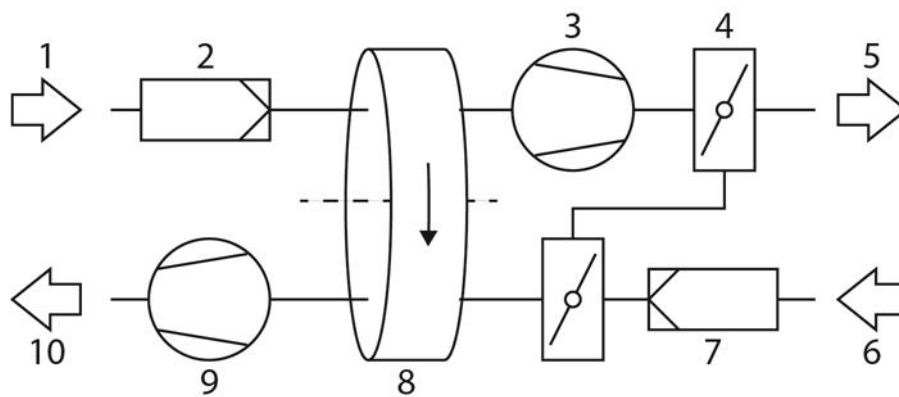
- **private homes**
- **offices**
- **conference rooms**
- **classrooms**
- **institutions**

MAIN COMPONENTS



1. Extraction fan
2. Injection fan
3. Rotating heat exchanger
4. Motor for heat exchanger
5. Extraction filter
6. Injection filter
7. Closing damper for injection air
8. Closing damper for extraction air

OPERATING PRINCIPLE



The outside air (1) is drawn in through the filter (2) and the heat recovery unit (8) by means of the fan (3), after which it is blown into the room (5). The inside air (6) is drawn by the fan (9) through the filter (7) and the heat recovery unit, after which it is blown outside (10).



OPERATION

Potentiometer

Easy Air is equipped with 2 potentiometers on the print. The max. potentiometer turns the airflow volume up and down and the factory setting is 54 m³/h at 35 dB(A). The airflow volume may be increased by turning the potentiometer clockwise. At max., the airflow volume is 100 m³/h at 52 dB(A). The balance potentiometer (Bal.) is set and does not require further adjustment.

LED - Filter

A timer indicates when it is time to inspect the filter. The LED "Filter" flashes when the specified time has passed (only counts when the fans are switched on). The LED may be switched off by pressing the button "Reset" which also resets the counter. By means of a dip switch, the timer may be set to off, 3, 6, 9 and 12 months, respectively.

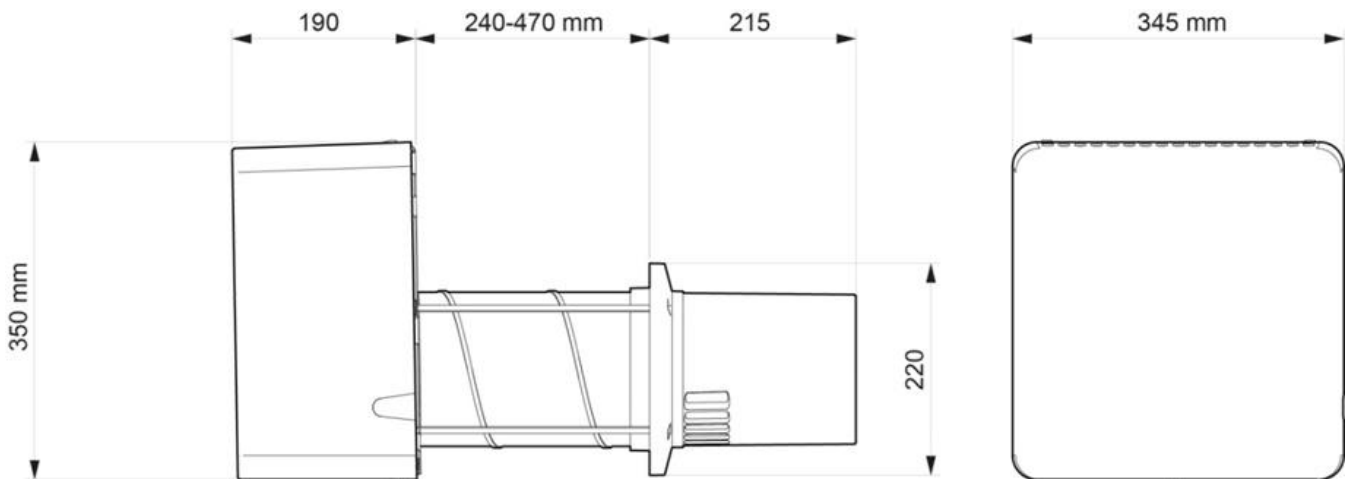
Ctrl, 0-10V input

A 0-10V input (GND + signal) may be used to switch on and adjust fan speed. 0V = switched off. 1V-10V = adjustment of speed, however, limited by max. potentiometer setting on the print.

Adapter PCB

Allows for the connection of expansion print.

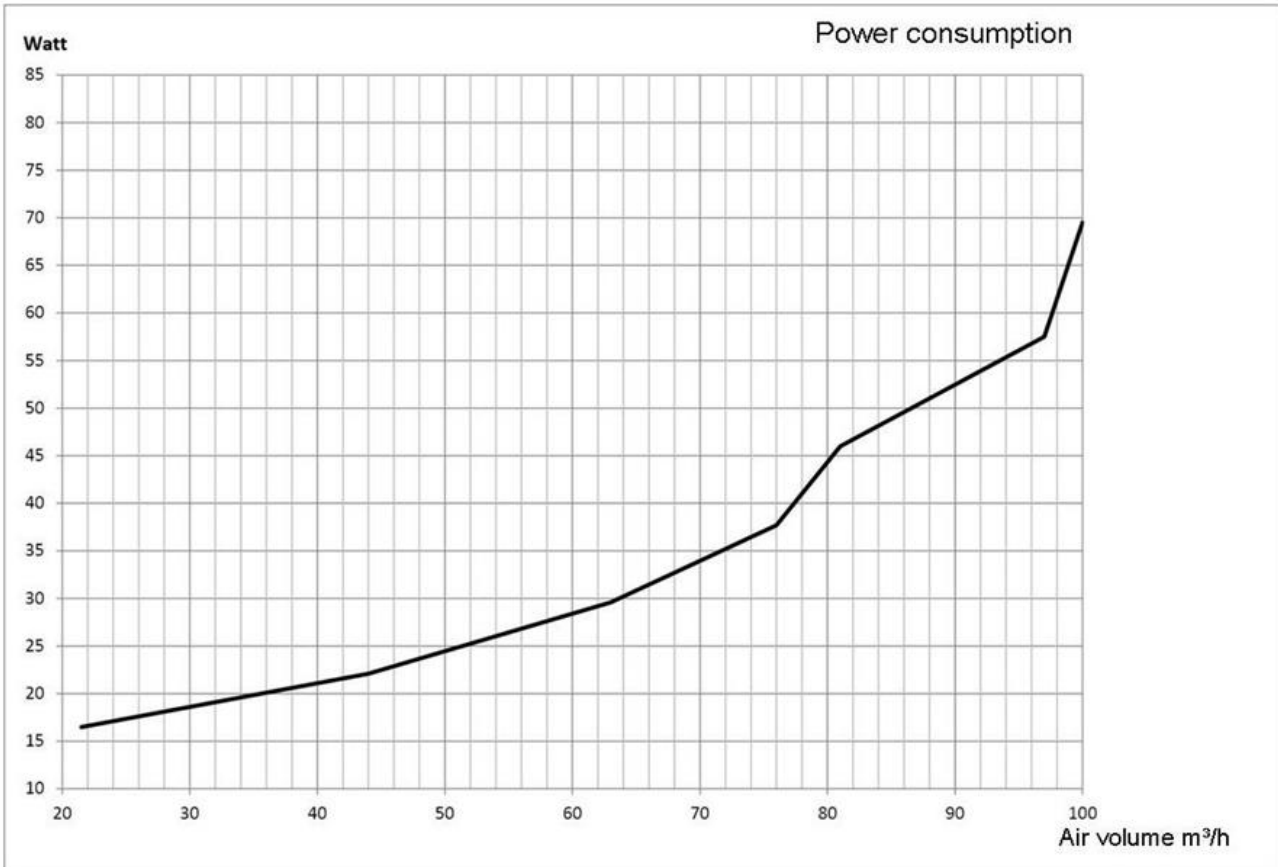
DIMENSIONAL DRAWING



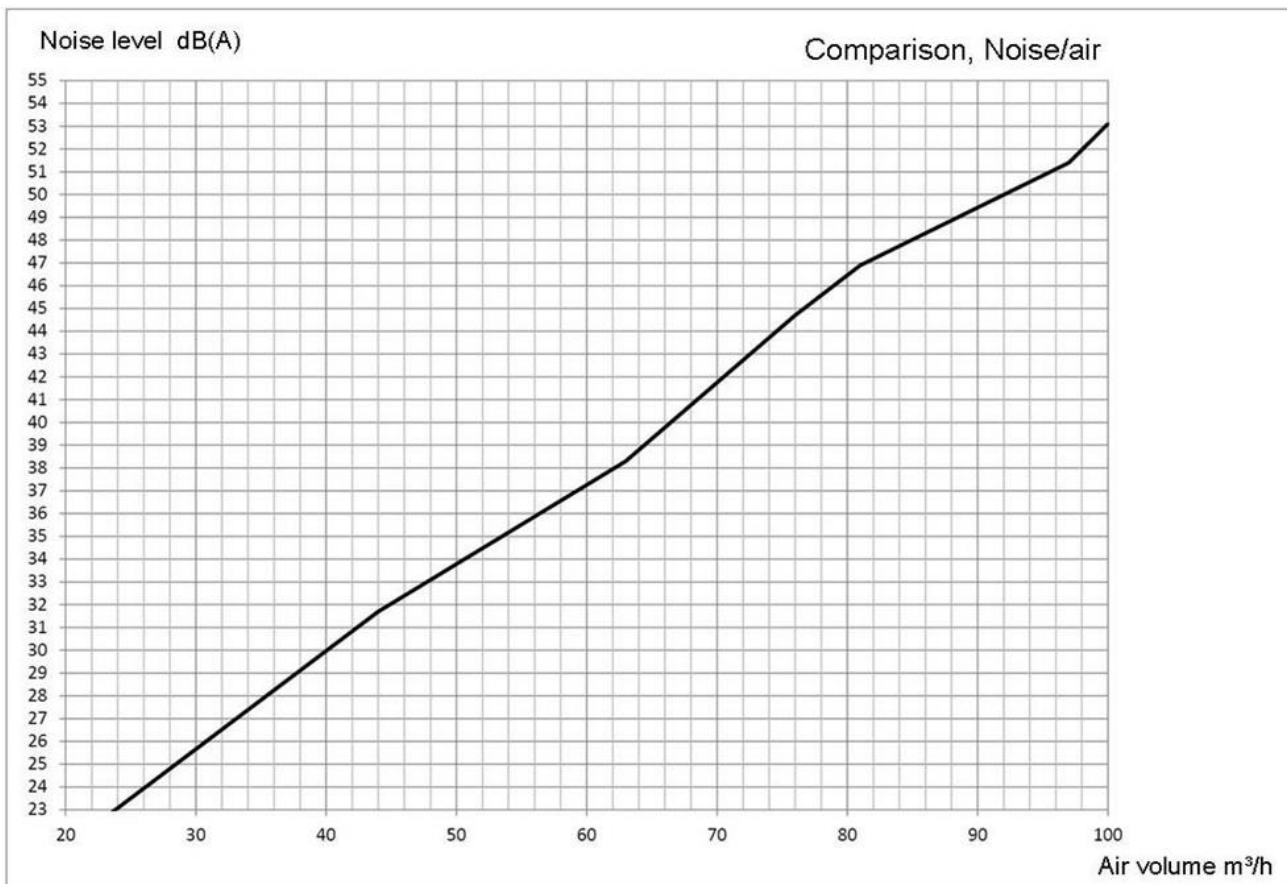
TECHNICAL SPECIFICATIONS

	Factory settings	*User adjustment
Air volume	20 - 54 m ³ /h	20 - 100 m ³ /h
Power consumption	17 - 27 Watt	17 - 63 Watt
Standby	1.2 Watt	1.2 Watt
Noise level	20 - 35 dB(A)	20 - 52 dB(A)
Heat recovery	81 - 74%	81 - 64%
Dimensions, inner (WxHxD)	345x350x190mm	
Dimensions, outer	Ø160x215mm	
Weight	10 kg	
Channel lead-in	Ø180mm	
Filter type	Mono-filtered mesh, polyamide	

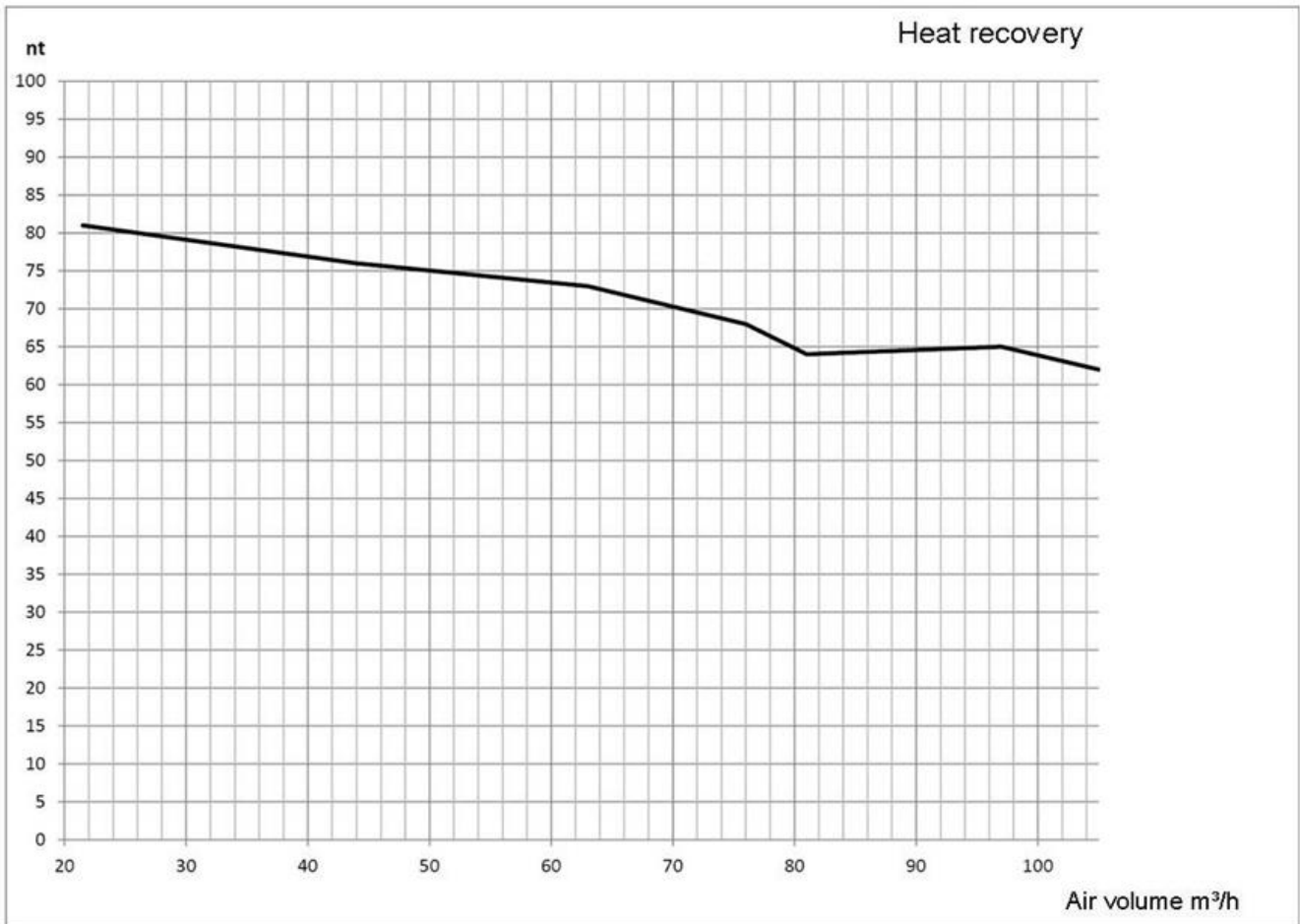
POWER CONSUMPTION



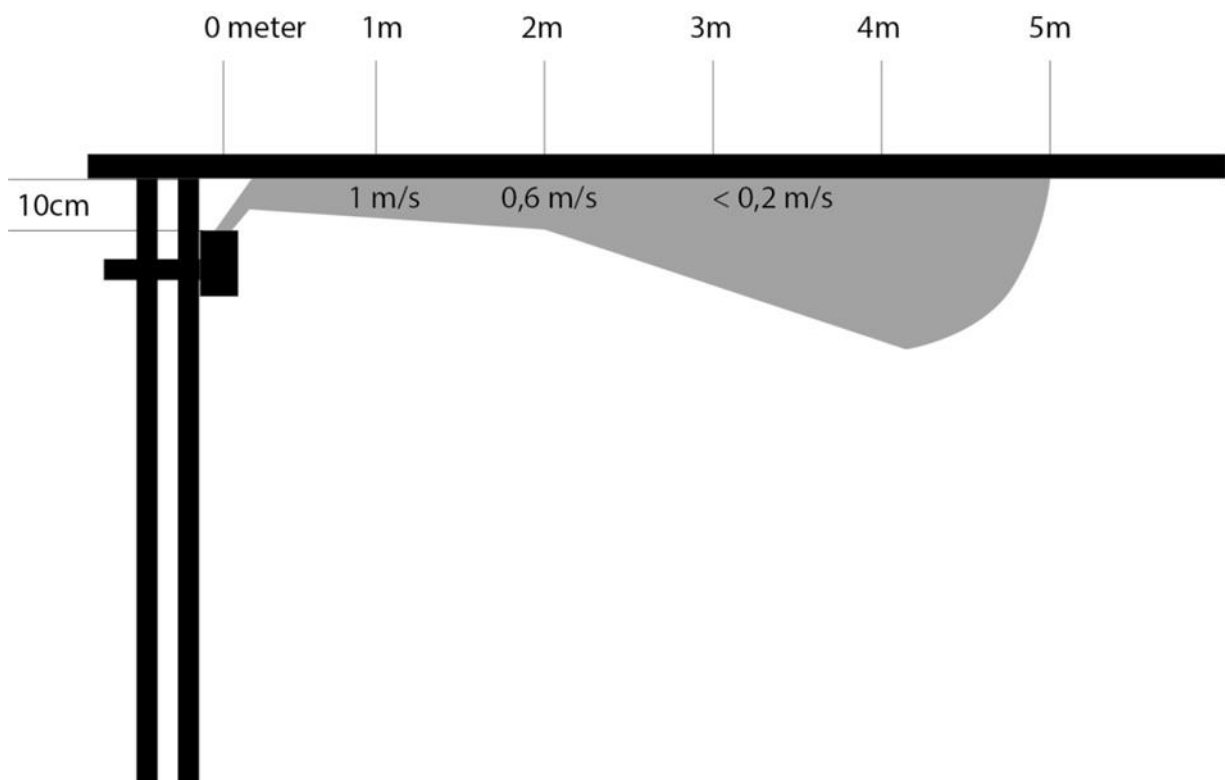
COMPARISON, NOISE/AIR



HEAT RECOVERY



SUPPLY LENGTH



Customers say ...

Werth´s EI, Kalundborg, has installed several EasyAir in offices.

Fitter Kasper L. Jensen, says:

- Simple and sensible installation
- When the hole and electrical connections are made, EasyAir is mounted on approx. 2 hours.
- Good technical support from a technician at Turbovex A / S
- Would really like to mount more.

Helsingoer Ventilation, installs EasyAir in the office.

Project manager Martin Froholdt, says:

- Easy assembly
- "The customer is very satisfied with the ventilation - easy to adjust - just one button"
- Nice technical support from Turbovex A / S
- We are in the process of selling more of this type - a fine ventilation system with heat recovery and low energy consumption.



Think about the indoor climate and do something about the environment... it's EasyAir



Turbovex A/S
Industrivej 45
DK-9600 Aars

Tel. +45 96 98 14 62
info@turbovex.dk
www.turbovex.com