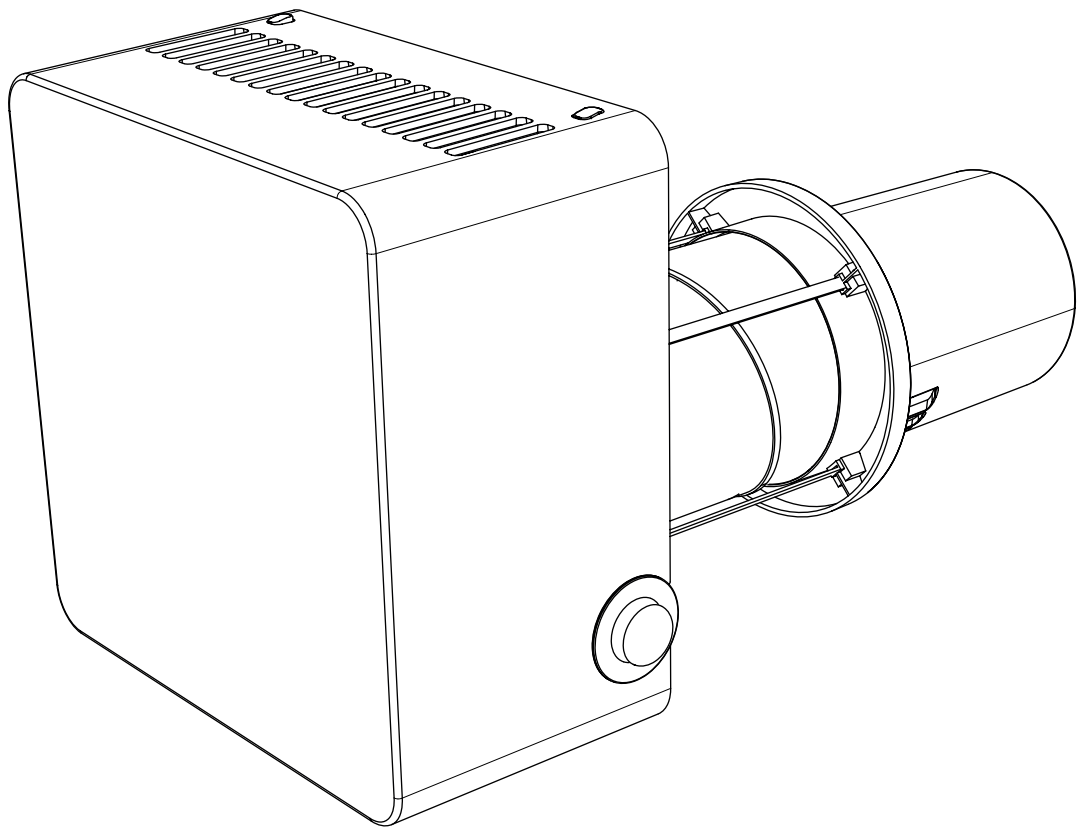


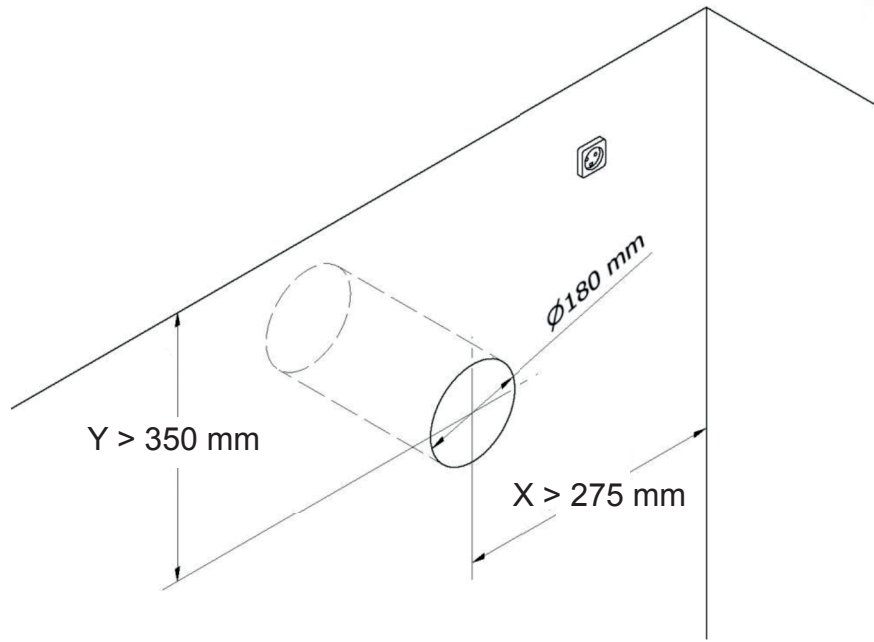
# Turbovex Easy Air



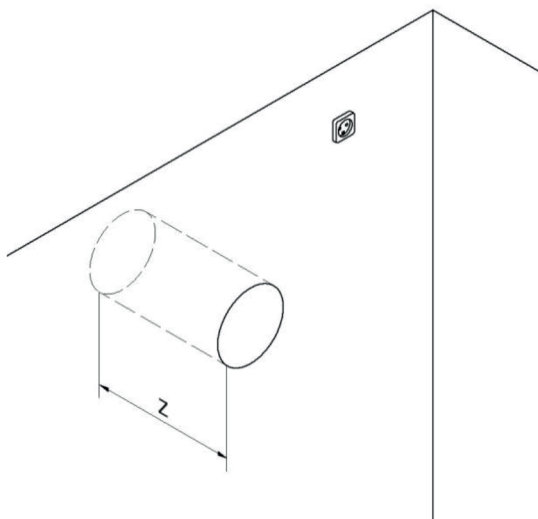
## Installation guide

Rev:2024.02.16

1



2



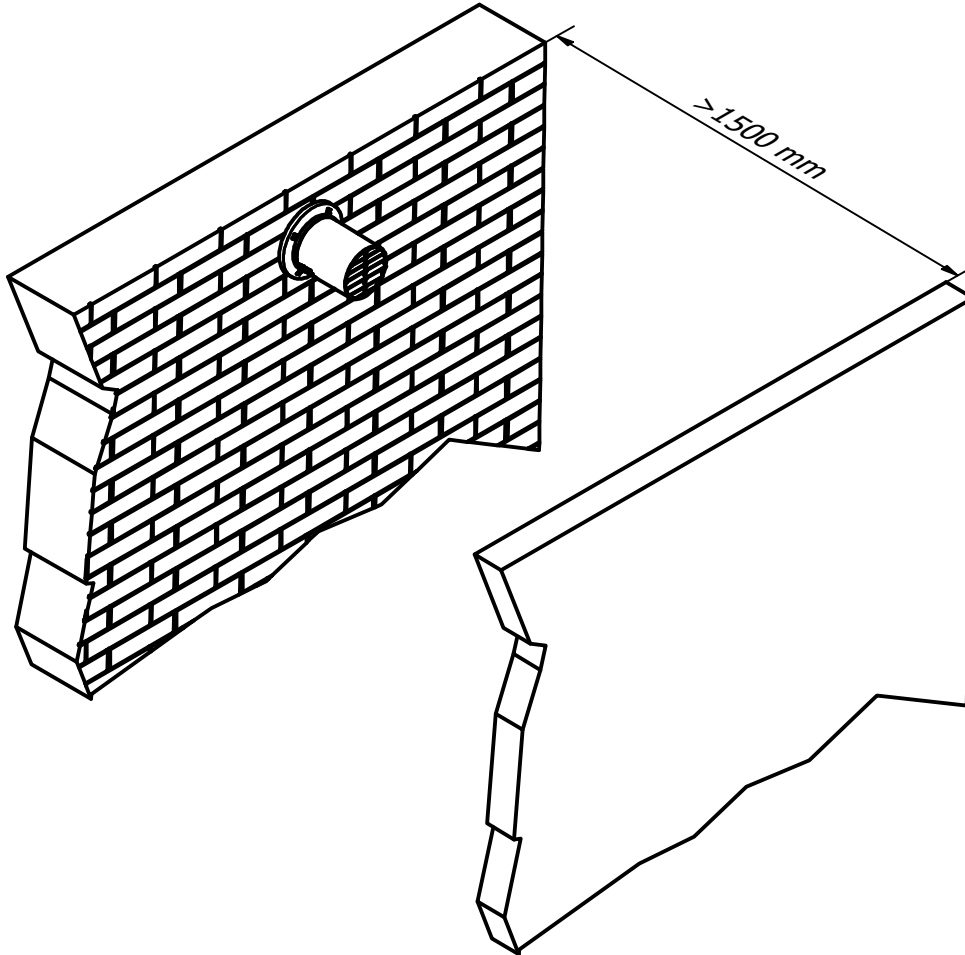
Z = \_\_\_\_\_



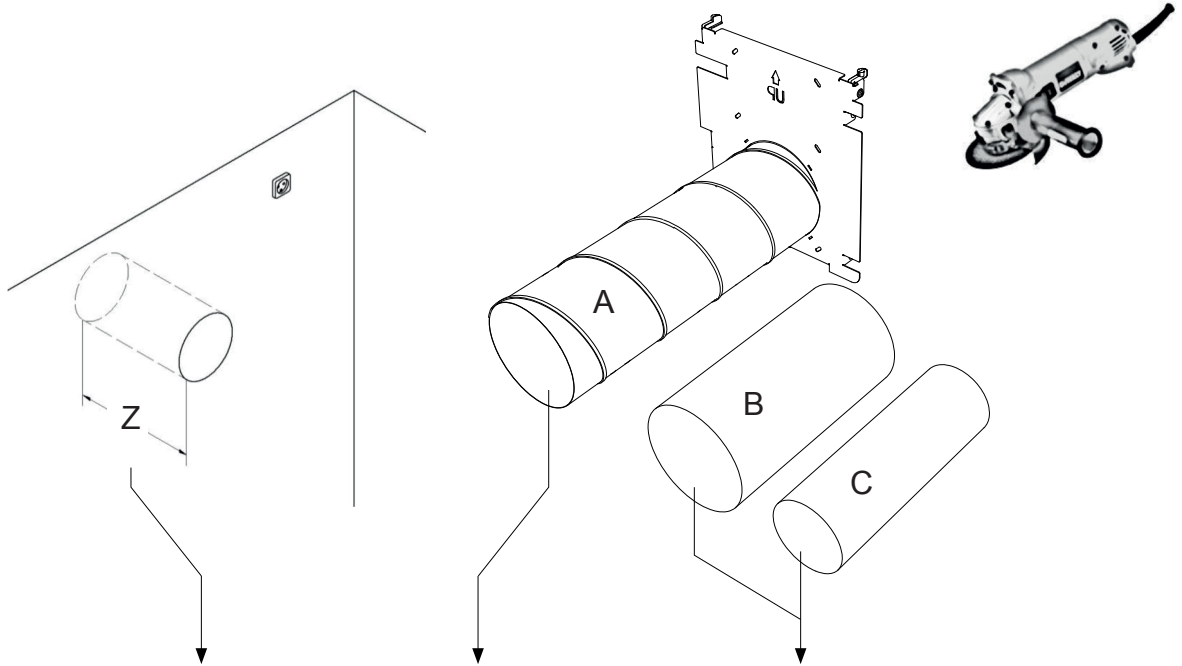
Z ≥ 240 mm

max wall thickness 470 mm

Distance from outer wall to other features such as walls or chimneys must be at least 1500 mm

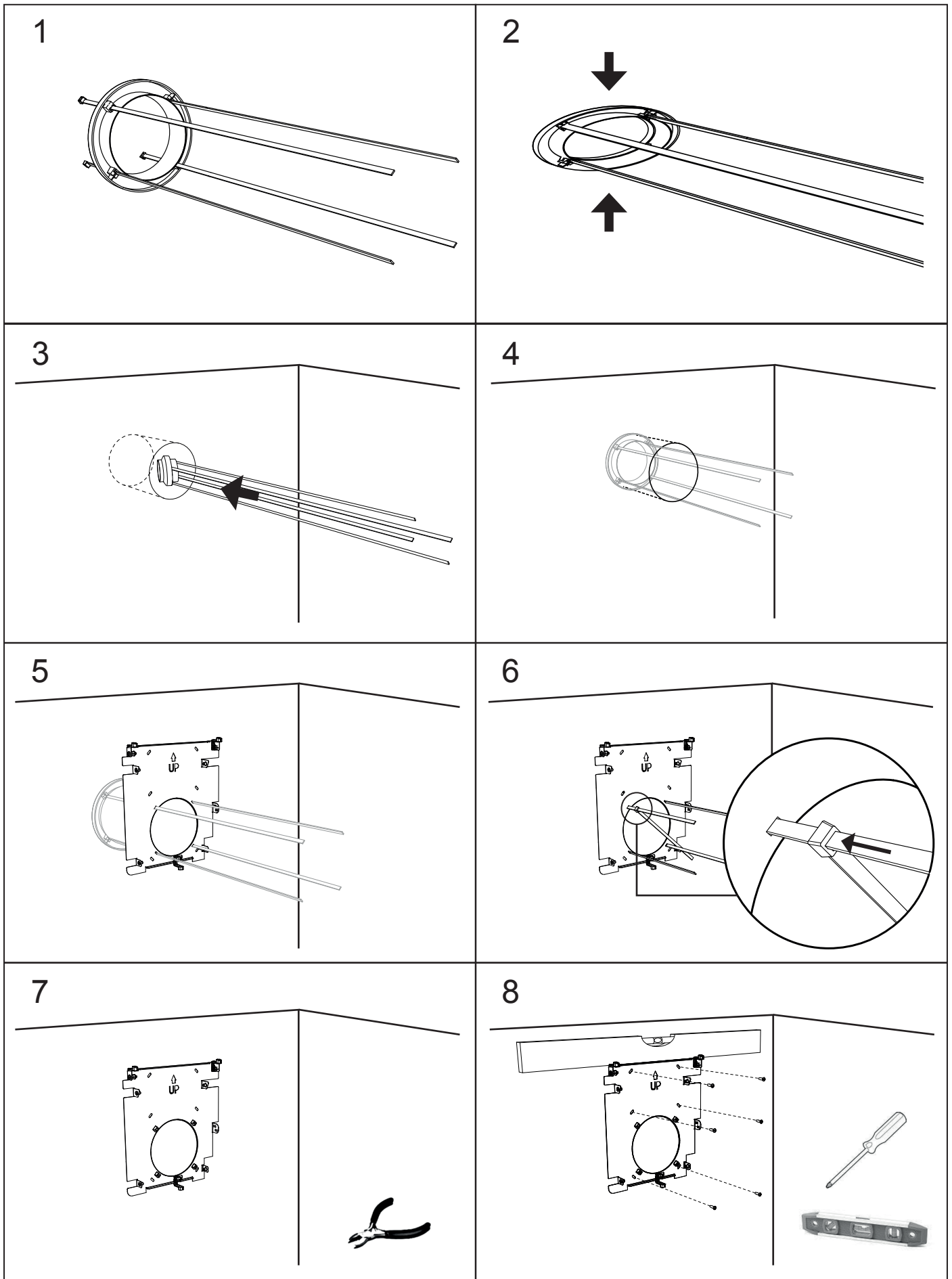


3

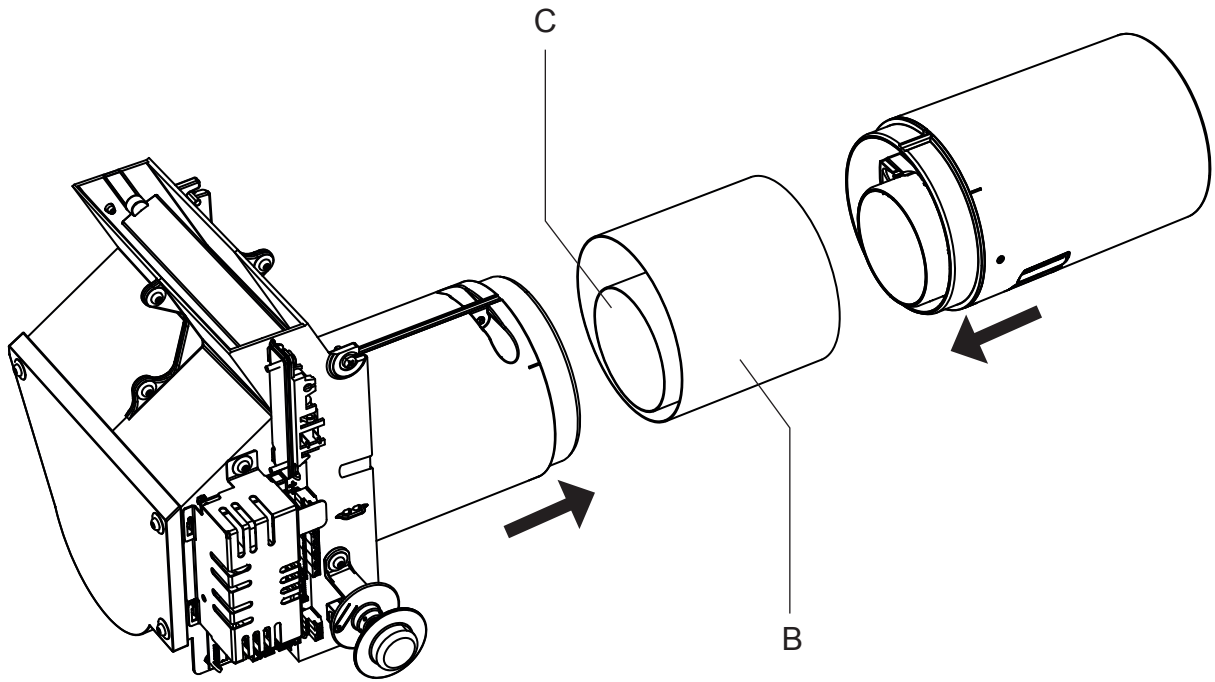


Lengths are in mm

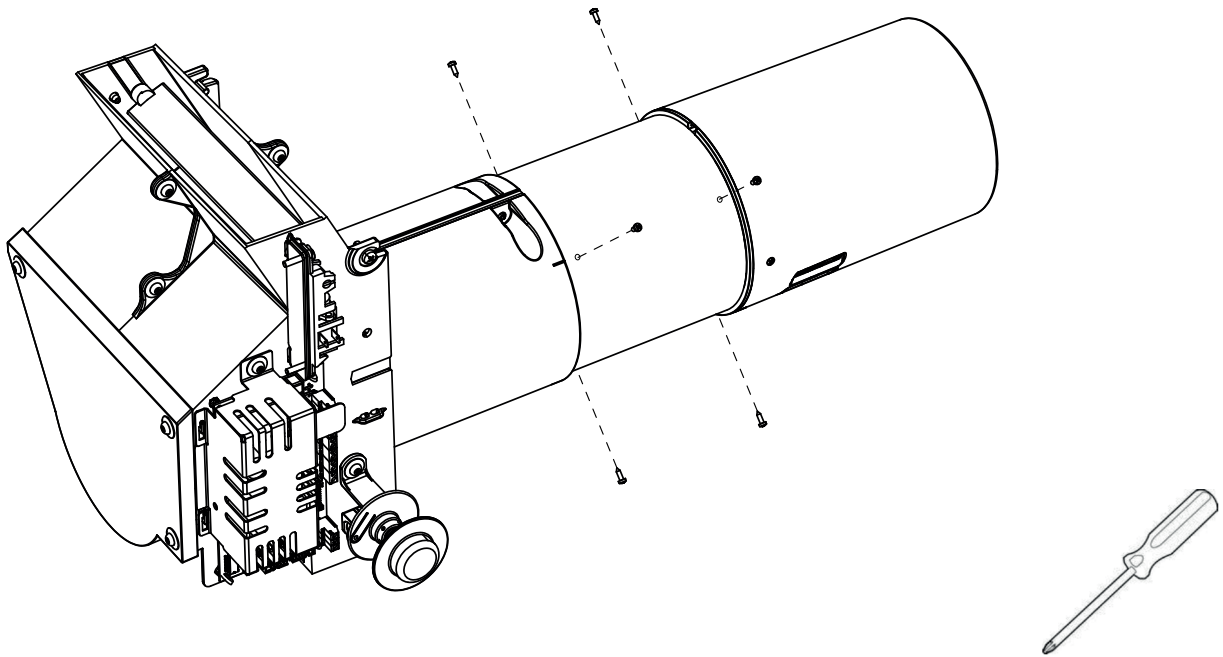
(Z)	(A)	(B+C)
240	250	64
250	260	74
260	270	84
270	280	94
280	290	104
290	300	114
300	310	124
310	320	134
320	330	144
330	340	154
340	350	164
350	360	174
360	370	184
370	380	194
380	390	204
390	400	214
400	410	224
410	420	234
420	430	244
430	440	254
440	450	264
450	460	274
460	470	284
470	480	294



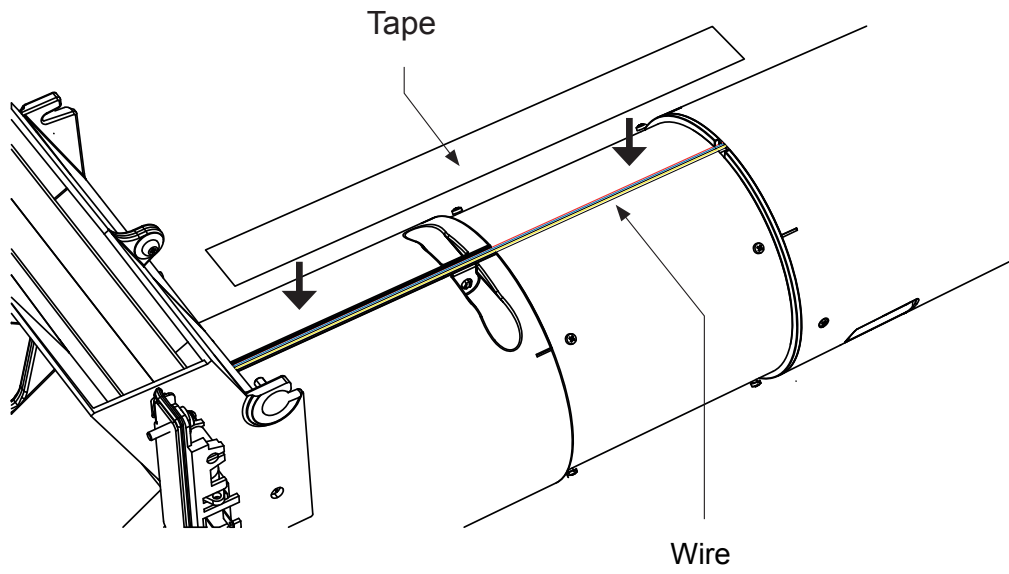
1



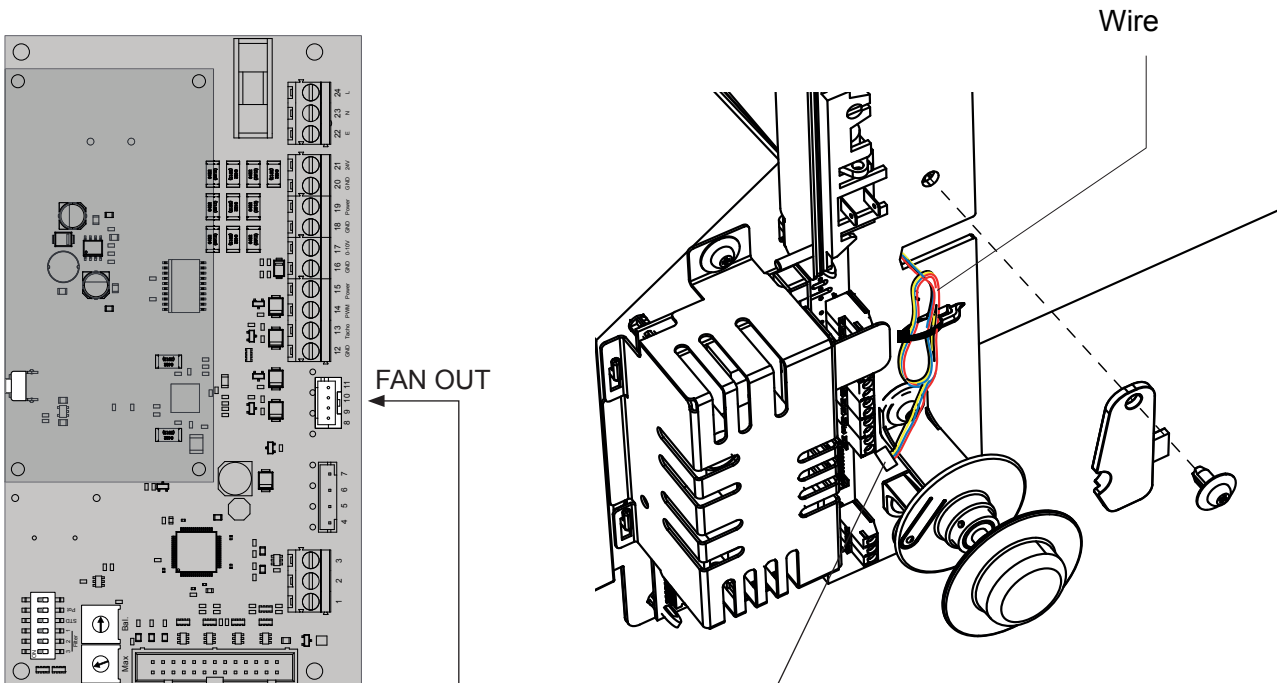
2



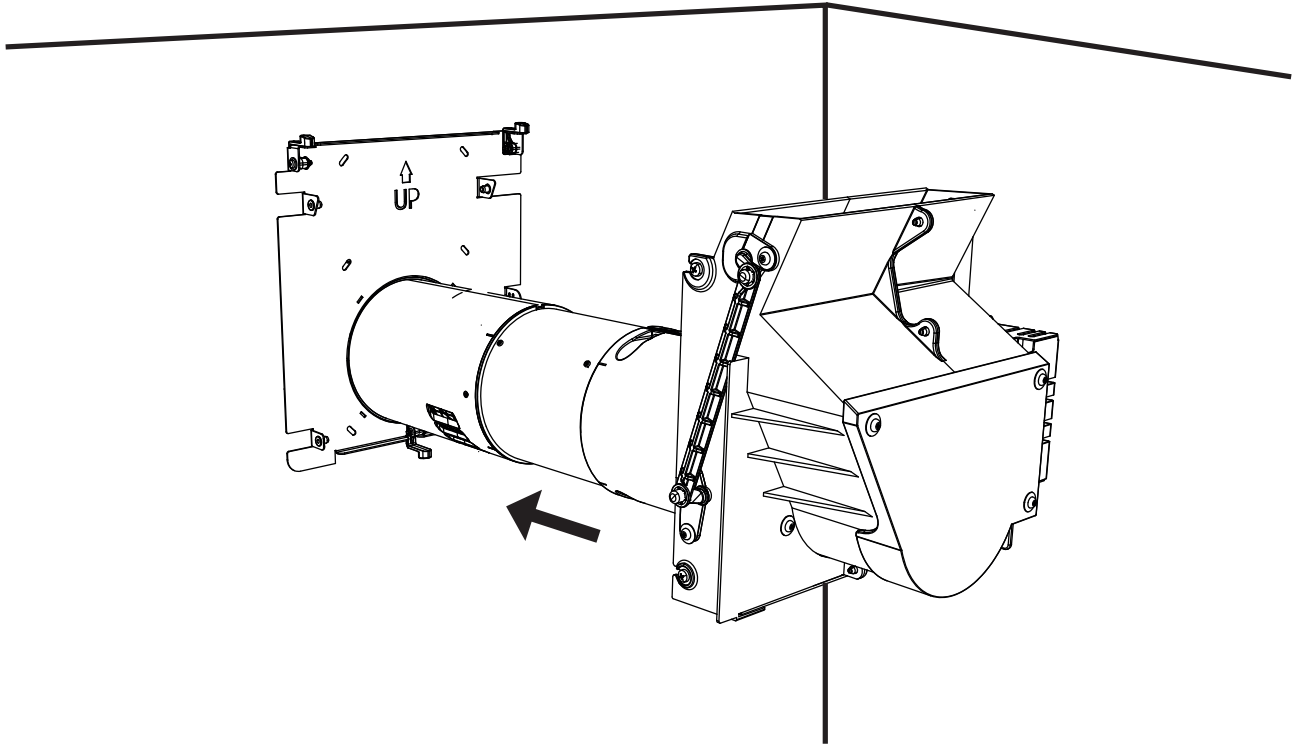
3



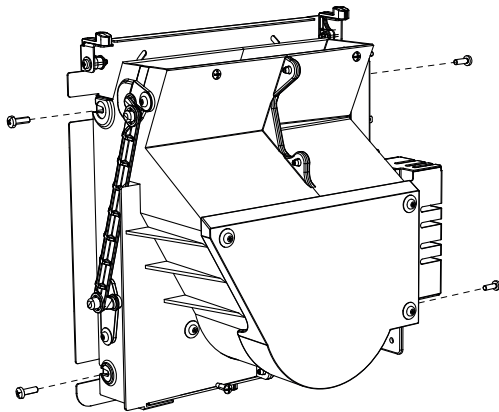
4



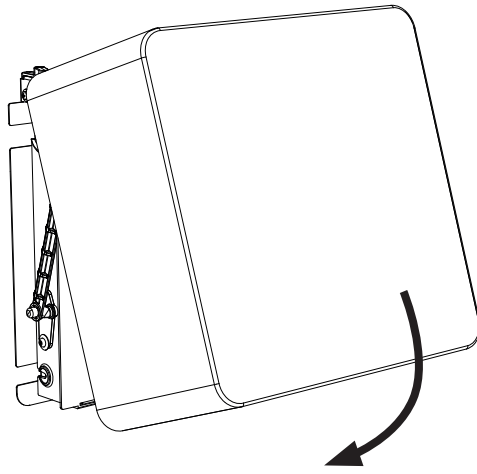
5



6



7



8

