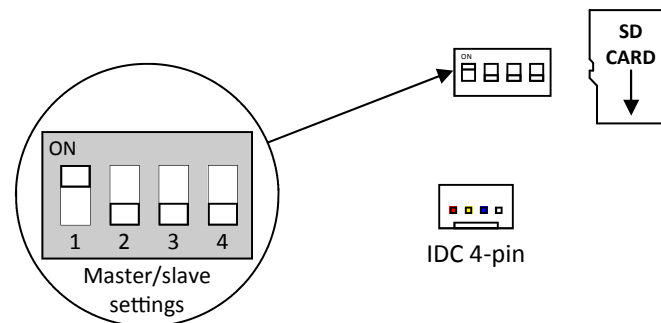
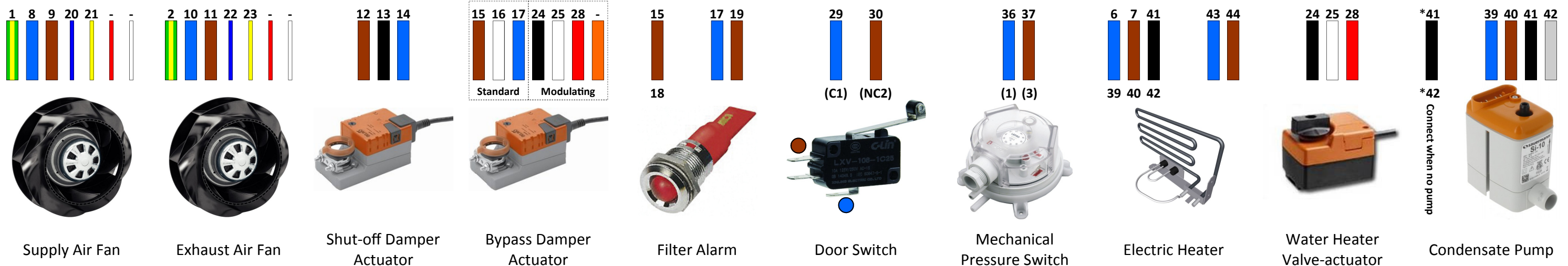
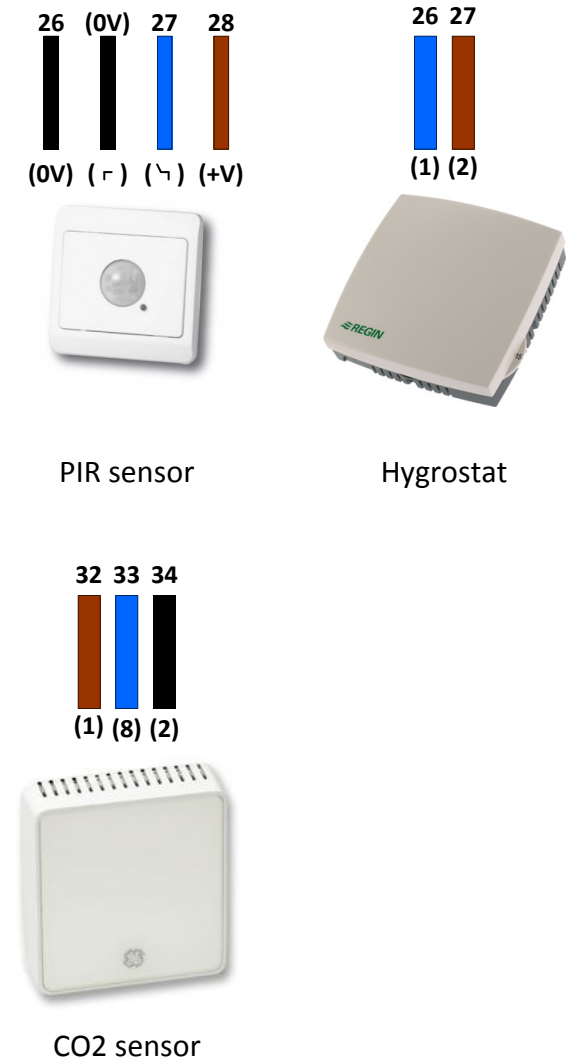
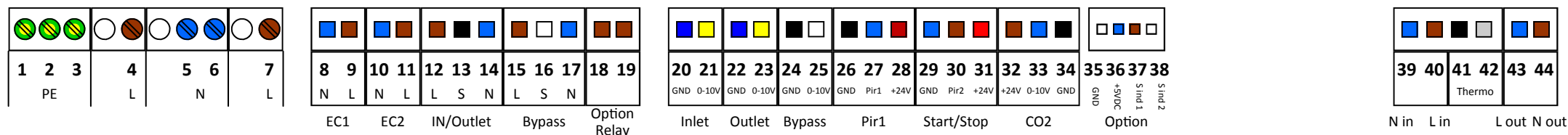
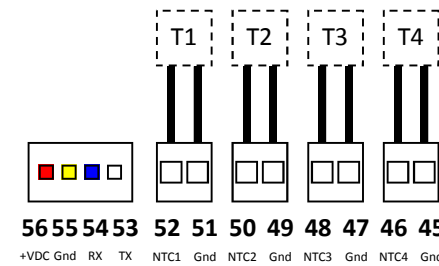


XX = PCB terminal
(XX) = Component terminal

Main PCB Layout



Temperature sensors	
52	T1 - Fresh Air (Located near shut-off damper)
51	T2 - Supply Air (Located near bypass damper)
50	T3 - Extract Air (Located below heat exchanger)
49	T4 - Exhaust Air (Located near electrical connection)



Electrical Connection

TX 250A, TX 500A, TX 750A, TX1000A

